

MPV-10K

Micro-metering Precision Valve



Please refer to price schedule for part numbers.

Ultimate control is at your fingertips with the MPV-10K precision micro-metering valve.

The MPV-10K, a component of our pressure calibration standards, is also available as an independent, fine micro-metering valve with positive shut off. This exclusive device incorporates all stainless steel construction for long lasting performance.

The versatile MPV-10K combines sophisticated performance with easy-to-use features. Adjustable stop with soft seat prevents overtightening. Each valve is customized with O-rings constructed from one of four materials for specific operation. Fingertip adjustment up to 10,000 psi provides high-accuracy metering in a variety of gas and fluid applications.

From process plant instrumentation to semiconductor production, natural gas systems to oxygen service, the MPV-10K is the ideal choice for precision micro-metering.

Applications

- Gas and fluid applications
- High purity systems
- Medical and Bio-chemical gas analysis
- Natural gas systems
- Semi-conductor production
- Pollution analysis instrumentation
- Process plant instrumentation
- Solvent systems
- Chromatography
- Mass spectroscopy
- Research laboratory sampling
- Oxygen service
- Machine cutting tools

Standard Features

- Fine micro-metering valve with positive shut off
- Adjustable stop, soft seat. No over tightening
- Stainless steel
- Finger tip adjust - even at 10,000 psi
- Viton O-rings standard; other materials available by request
- Valve can be panel or bracket mounted

Options/Accessories

- 68859Additional adjustment and maintenance manual
- 55277Replacement Viton O-ring kit

Consult factory for additional O-ring materials:

- Buna-N
- Ethylene-propylene
- Silicone
- Neoprene

PRESSURE RANGE:

Vacuum to 10,000 psi

PROOF PRESSURE:

15,000 psi

ORIFICE SIZE:

0.032

C, FACTOR:

0.007

MECHANICAL ROTATION:

10 turns, nominal

TORQUE:

Finger tip adjust

VOLUME:

0.5 cubic inch, nominal

SENSITIVITY:

0.0005 psi, minimum

CONSTRUCTION:

Body: 303 stainless steel

All other parts: 304 stainless steel

Knob: Black anodized aluminum

DESCRIPTION OF O-RING MATERIALS:

Viton (V): Standard supplied material. High temperature, compatible with wide range of fluids and chemicals: Acids, oils, fuels, solvents, gases, U.V. light, and ozone.

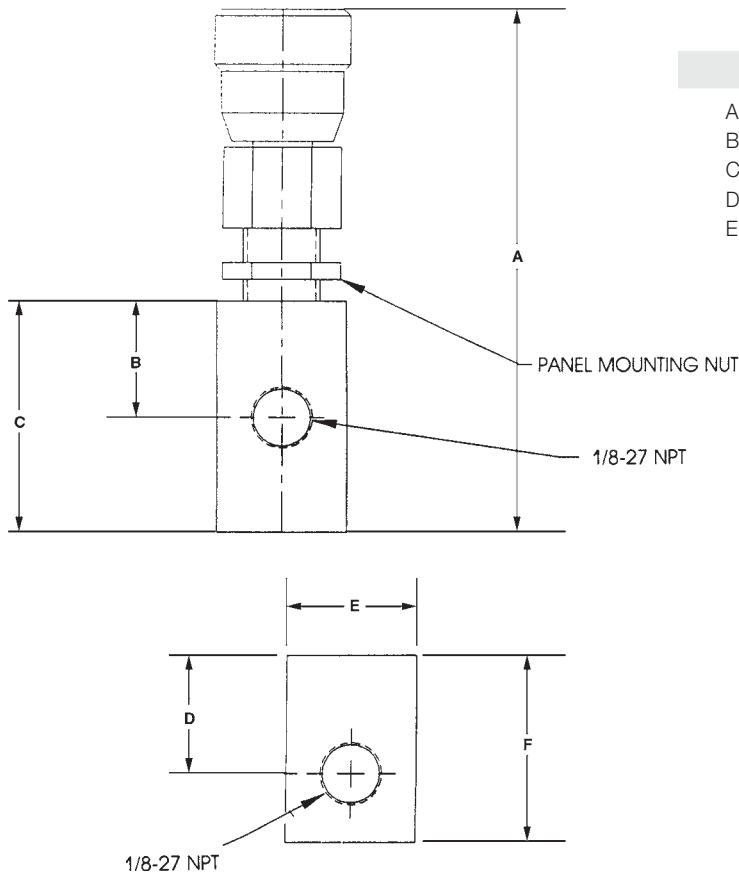
Buna-N (BN): For general applications, petroleum base lubricants, hydraulic oils, gasoline, fuels, alcohol, L.P. gases, water and many other media. Order by request.

Ethylene - Propylene (EP): For hot water, steam, dilute acids, alcohols, alkalis, ketones, phosphate, and brake fluids. Order by request.

Silicone (S): Compatible with air, oxygen, ozone, and others. For high temperature applications. Order by request.

Neoprene (C): For refrigeration gases (freon, ammonia), CO₂, chlorine, ozone, sunlight exposure. F.D.A. approved for food and beverages, odorless, tasteless and non toxic. Order by request.

See literature sheet PN 65308



DIMENSIONS

A = 3.80" (96.52 mm)	F = 1.35" (34.29 mm)
B = 0.853" (21.66 mm)	G = 0.48" (12.19 mm)
C = 1.70" (43.18 mm)	H = 0.20" (5.08 mm)
D = 0.85" (21.59 mm)	I = 0.65" (16.51 mm)
E = 0.95" (24.13 mm)	

