

## CONDEC™ UMC222

### Digital Weight Indicator



#### Standard Features

- Easy-to-use front panel configuration
- Adjustable high-performance digital filter
- Smart Serial™ ticket formatting
- Adjustable digital filter for low frequency vibration
- NEMA 4X stainless steel enclosure
- Time and date
- 10-digit accumulator
- Supports 4- and 6-wire connections
- Count mode
- One digital input
- 5-point linearization

#### Approvals



Measurement  
Canada  
Approved

#### Specifications

##### EXCITATION VOLTAGE:

5 VDC, 4 x 350Ω or 8 x 700Ω load cells

##### ANALOG SIGNAL INPUT RANGE:

0.1 mV/V - 4.5 mV/V

##### ANALOG SIGNAL SENSITIVITY:

0.3 uV/graduation

##### CONVERSION RATE AT FULL SCALE:

15 updates/second

##### RESOLUTION:

10,000 displayed graduations NTEP  
80,000 graduations maximum

##### DISPLAY:

0.8" (20.32mm) 6-digit, 7-segment  
Light Emitting Diode (LED)

##### SYSTEM LINEARITY:

Within 0.01% of FS

##### REMOTE INPUT:

Zero, Tare, Print

##### SERIAL COMMUNICATION:

Port 1: full duplex RS-232  
Port 2: simplex RS-232  
Baud rate: 600 baud to 19,200 baud

##### KEYBOARD:

5-key membrane

##### STATUS ANNUNCIATORS:

Zero, motion, net, lb, kg, total

##### POWER INPUT:

115/230 VAC, 50/60 Hz, 5W, VDC  
multi-range

##### RATING/MATERIAL:

NEMA 4 stainless steel

##### OPERATING TEMPERATURE:

14°F to 104°F (-10°C to 40°C)

##### OVERALL DIMENSIONS:

8.75" L x 5.25" H x 3.5" W  
(222 mm L x 133 mm H x 88 mm W)

##### WEIGHT:

5 lb (2.3 kg)

##### APPROVALS:

NTEP-certified,  
CC#00-095;  
Measurement Canada Approved,  
AM-5302 AMD 1

##### WARRANTY:

2-year limited warranty

# UMC 222

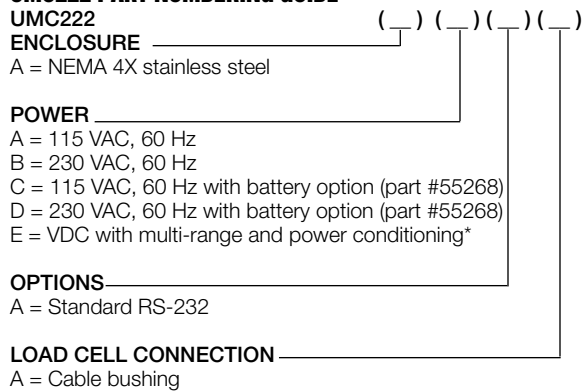
Indicators

PART #	DESCRIPTION	EST. SHIP WEIGHT	SUGGESTED LIST PRICE
65479	UMC222AAAA, 115 VAC 60 Hz	5 lb	\$595.00
65510	UMC222ABAA, 230 VAC 60 Hz	5 lb	\$595.00
68503	UMC222AEAA, VDC with multi-range and power conditioning*	5 lb	775.00
<b>Options/Accessories</b>			
55255	Serial expander assembly (RS-485, RS-422, 20 mA loop) (not available on VDC model).....☒		160.00
55262	Panel mount kit** .....☒		35.00
55268	Battery option .....☒		195.00
65443	Additional operating manual.....☒		35.00

\*Engineered to operate at 12,24,36 or 48 VDC. Simply choose indicator voltage by jumper selection.

\*\* Panel mount kit is not NEMA rated

### UMC222 PART NUMBERING GUIDE



All other part number configurations are available as special order units.

## CONDEC™ UMC555

### Digital Weight Indicator



### Standard Features

- Four-button operation
- Mild steel NEMA 1 enclosure
- Tilt stand base
- Front-panel calibration
- Zero, net/gross, tare and print keys

### Approvals



Measurement  
Canada  
Approved

### Specifications

#### EXCITATION VOLTAGE:

10 VDC, fixed, short-circuit proof  
Load cell current:  
240 mA maximum (8 350Ω load cells)

#### ANALOG SIGNAL INPUT RANGE:

0.7 mV/V - 2.0 mV/V "high span"  
1.7 mV/V - 3.2 mV/V "low span"

#### CONVERSION RATE AT FULL SCALE:

10 updates per second, no averaging

#### RESOLUTION:

10,000 displayed graduations  
80,000 internal graduations

#### DISPLAY:

6-digit, 0.6" (15.2 mm) red Light  
Emitting Diode (LED) Display

#### FRONT-PANEL CONTROL SWITCHES:

Zero, Gross/Net, Tare, Print

#### FRONT-PANEL ANNUNCIATORS:

Center Zero, Net, lb, kg, Motion (Red bar  
LEDs)

#### SERIAL OUTPUT:

Port 1: Full duplex RS-232\*, 20 mA current  
loop (optional RS-485/422)  
Port 2: Simplex RS-232\*, 20 mA  
current loop

\*Floating ground may require isolation

#### POWER INPUT:

115/230 VAC, 50/60 Hz, or external DC  
Power consumption: 15 watts

#### OPERATING TEMPERATURE:

14°F to 104°F (-10°C to 40°C)

#### RATING/MATERIAL:

Mild steel, NEMA 1 general purpose, tilt  
stand base standard

#### WEIGHT:

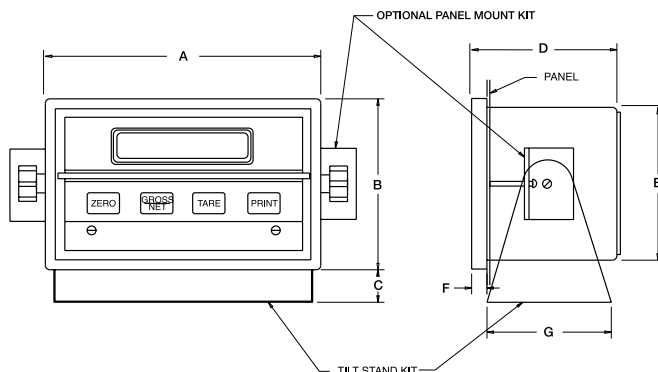
Approximately 5.5 lb (2.5 kg)

#### APPROVALS:

NTEP-certified, CC# 00-005;  
Measurement Canada approved,  
MALSWA-4408 rev. 4

#### WARRANTY:

2-year limited warranty



### DIMENSIONS

A = 7.75" (196.8 mm)	D = 4.09" (103.9 mm)
B = 4.81" (122.2 mm)	E = 4.31" (109.5 mm)
C = 0.92" (23.4 mm)	F = 0.43" (10.9 mm)
or 2.06" (52.3 mm)	G = 3.50" (88.9 mm)

PART #	DESCRIPTION	EST. SHIP WEIGHT	SUGGESTED LIST PRICE
<b>115 VAC</b>			
19189	UMC555AAAC, w/tilt stand	7.5 lb	\$850.00
61959	UMC555BAAC, w/panel mount brackets	7.5 lb	850.00
61178	UMCCAAC, uncased board set	7.5 lb	655.00
61224	UMC555AACC, w/tilt stand, parallel BCD	7.5 lb	1,365.00
61237	UMC555AADC, w/tilt stand, analog output 0-10 VDC; Analog output 4-20 mA	7.5 lb	1,365.00
61869	UMC555AAAC-35, w/tilt stand, w/internal BCD	8 lb	900.00
64572	UMC555BAAC-35, w/panel mount brackets, w/internal BCD	8 lb	900.00
<b>12 VDC (External input)</b>			
61363	UMC555CCAC, uncased board set, 12 VDC	7.5 lb	600.00
62269	UMC555BCAC, w/panel mount brackets, 12 VDC	7.5 lb	800.00
61373	UMC555ACAC, w/tilt stand, 12 VDC	7.5 lb	800.00
<b>230 VAC</b>			
61279	UMC555ABAC, w/tilt stand	7.5 lb	850.00
62112	UMC555BBAC, w/panel mount brackets	7.5 lb	850.00
<b>Options/Accessories</b>			
19576	BCD output, external, 115 VAC		545.00
33185	TPT5DC, For RS232 isolation of floating ground		195.00
55458	BCD output, external, 230 VAC		545.00
19578	Analog output, 0-10/4-20 mA, 115 VAC		545.00
16815	Technical manual		85.00

### UMC555 PART NUMBERING GUIDE

UMC555 ( ) ( ) ( ) ( )

#### ENCLOSURE

- A = Mild steel painted enclosure with tilt stand
- B = Mild steel painted enclosure with panel mount kit\*
- C = Uncased board set

#### INPUT POWER

- A = 115 VAC, 60 Hz
- B = 230 VAC, 50 Hz
- C = 12 VDC (external output)

#### OPTIONS

- A = Standard RS-232
- C = Parallel BCD, 115 VAC (PN 19576)
- D = Analog output 0-10 VDC; analog output 4-20 mA (115 VAC part #19578) (230 VAC #55469)

#### LOAD CELL TERMINATION

- C = RFI - shielded

\* Panel mount kit is not NEMA rated

All other part number configurations are available as special order units.

## CONDEC™ UMC600

### Digital Weight Indicator



### Standard Features

- Surge protection board
- Auto/manual batching modes
- 80,000 display graduations available
- RFI/EMI shielded
- Easy digital configuration and calibration
- Four control inputs/outputs
- Truck in/out weighing mode, 300 truck ID storage
- One 10-digit accumulator
- 5-point linearization
- Keyboard customized serial output
- Time and date
- Front panel key lockout
- Temperature compensated - 18°F to 104°F (-10°C to 40°C)

### Approvals



### Specifications

#### EXCITATION VOLTAGE:

10 VDC, fixed, short-circuit proof  
Load cell current:  
240 mA maximum (8 350Ω load cells)

#### ANALOG SIGNAL INPUT RANGE:

0.7 mV/V - 2.0 mV/V "high span"  
1.7 mV/V - 3.2 mV/V "low span"

#### CONVERSION RATE AT FULL SCALE:

10 updates per second, no averaging

#### RESOLUTION:

10,000 displayed graduations,  
expanded 80,000 (max.)  
100,000 internal graduations

#### DISPLAY:

6-digit, 0.6" (15.2 mm) red Light  
Emitting Diode (LED) Display

#### FRONT-PANEL CONTROL SWITCHES:

Zero, Gross/Net, Tare, Print, Tare Recall,  
SP1, SP2, Data Entry Keys

#### FRONT-PANEL ANNUNCIATORS:

Center Zero, Net, lb, kg, Motion (Red bar  
LEDs)

#### SERIAL OUTPUT:

Port 1: Full duplex RS-232\*, 20 mA current  
loop (optional RS-485)  
Port 2: Simplex RS-232\*, 20 mA  
current loop

\*Floating ground may require isolation

#### SETPOINT OUTPUT CONTROL:

4 bi-polar 5VDC logic levels

#### KEYBOARD:

21 key overlay, pushbuttons switches

#### REMOTE CONTROL INPUTS:

4, 5VDC logic levels

#### POWER INPUT:

115/20 VAC, 50/60 Hz, or external DC

#### POWER CONSUMPTION:

14 watts

#### OPERATING TEMPERATURE:

14°F to 104°F (-10°C to 40°C)

#### OVERALL DIMENSIONS:

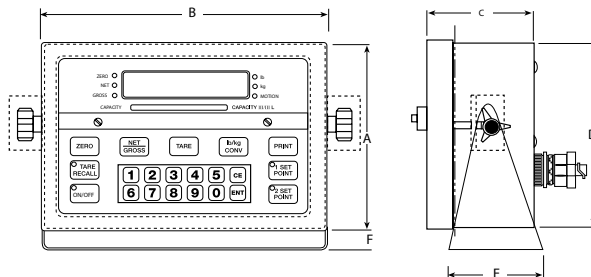
9.12" L x 6.62" H x 4.18" W  
(251 mm L x 168 mm H x 106  
mm W)  
Weight: Approximately 9.5 lb  
(4.3 kg)

#### APPROVALS:

NTEP-certified, CC# 00-004;  
Measurement Canada Approved  
S-WA-4131

#### WARRANTY:

2-year limited warranty



### DIMENSIONS

A = 6.62" (168.1 mm)	D = 6.34" (161.0 mm)
B = 9.12" (231.6 mm)	E = 43.94" (100.1 mm)
C = 4.18" (106.2 mm)	F = 0.90" (22.9 mm)

PART #	DESCRIPTION	EST. SHIP WEIGHT	SUGGESTED LIST PRICE
<b>115 VAC</b>			
19198	UMC600AAAC, w/tilt stand.....	11 lb	\$1,050.00
55623	UMC600BAAC, w/panel mount brackets.....	11 lb	1,050.00
61652	UMC600DAAC, flange mount .....	11 lb	1,150.00
56231	UMC600BCAC, w/panel mount brackets, 115 VAC 60 Hz w/battery .....	11 lb	1,115.00
54117	UMC600FAC, w/tilt stand, relay output (solid state).....	11 lb	1,425.00
57186	UMC600BFAC, w/panel mount brackets, analog 0-10 VDC; 4-20 mA output .....	11 lb	1,425.00
55622	UMC600AKAC, w/tilt stand, analog 0-10 VDC; 4-20 mA output; 4 SS relays.....	11 lb	1,545.00
54722	UMC600AHAC, w/tilt stand, relay output (solid state).....	11 lb	1,300.00
62337	UMC600DHAC, flange mount, relay output (solid state) .....	11 lb	1,400.00
<b>12 VDC (external input)</b>			
62934	UMC600AEAC, w/tilt stand, 12 VDC.....	11 lb	1,050.00
61196	UMC600AEAC-44, w/tilt stand, 12 VDC w/power conditioning circuit.....	11 lb	1,190.00
56864	UMC600BEAC, w/panel mount brackets, 12 VDC.....	11 lb	1,050.00
61893	UMC600DEAC, flange mount, 12 VDC .....	11 lb	1,150.00
<b>230 VAC</b>			
59318	UMC600ABAC, w/tilt stand .....	11 lb	1,050.00
55960	UMC600BBAC, w/panel mount brackets.....	11 lb	1,050.00
58514	UMC600BJAC, w/panel mount brackets, realy output (solid state).....	11 lb	1,300.00
59295	UMC600BLAC, w/panel mount brackets, analog 0-10 VDC; 4-20 mA output; 4 SS relays .....	11 lb	1,545.00

All other part number configurations ae available as special order units.

**Options/Accessories**

33185	TPT5DC, For RS232 isolation of floating ground .....	195.00
55633	Relay board with solid state relays (old style), KBT7116-11 .....	250.00
55637	Relay board with dry contact relays (old style), KBT7116-12 .....	250.00
55649	Battery, KBT7116-14 .....	90.00
55653	Relay board with four solid state relays (new style), KBT7116-16 .....	250.00
55658	Analog kit (no board), KBT7116-17 (requires part #55653).....	275.00
55660	Analog output board, KBT7116-18 .....	375.00
55662	Relay and analog output board, KBT7116-19 .....	495.00
16815	Technical manual .....	85.00
30261	Additional operating manual.....	35.00

**UMC600PART NUMBERING GUIDE**

**UMC600** ( ) ( )

**ENCLOSURE** ( ) ( )

A = Stainless steel with tilt stand  
 B = Stainless steel with panel mount kit  
 C = Flange mount

**INPUT POWER**

A = 115 VAC, 60 Hz  
 B = 230 VAC, 50 Hz  
 C = 115 VAC, 60 Hz with battery option (part #55649)  
 D = 230 VAC, 50 Hz with battery option (part #55649)  
 E = 12 VDC (external input)  
 F = 115 VAC with analog output option 0-10 VDC; 4-20 mA (part #55660)  
 G = 230 VAC with analog output option 0-10 VDC; 4-20 mA (part #55660)  
 H = 115 VAC with relay output option (solid state) (part #55653)  
 J = 230 VAC with relay output option (solid state) (part #55660)  
 K = 115 VAC with analog & relay output option 0-10 VDC;  
 4-20 mA output, 4 SS relays (part #55662)  
 L = 230 VAC with analog & relay output option 0-10 VDC;  
 4-20 mA, 4 SS relays (part #55662)

**DISPLAY**

A = Light Emitting Diode (LED)

**LOAD CELL TERMINATION**

C = RFI - shielded 6-wire connector

\* Panel mount kit is not NEMA rated